



ARBOLES UK LTD

LABORATORY TAPS, SAFETY SHOWERS AND EYE WASHES



Part No: 900116MIX-WWA

Description: Balanced flow laboratory lever action monobloc mixer tap, removable nozzle.

Applications: Standard laboratory mixer water tap for all applications where header tank supply is present (Full WRAS approval)

Options: Full bore nozzles are available on request.

Construction: All brass body, Rilsan plastic coated, white (RAL9016).

Green aluminium lever, Identification coding to DIN13792

Connection and mounting: 2 x 1/2" BSP female flat ended flexible braided SS hoses, 330mm long.

Mounting hole 30mm diameter.

Pressure and Flow: Maximum pressure 100PSI (Recommended 20PSI)

Flow Rate @ 20 psi = 35 Litre/min.

Spares: Spare handwheel assembly: Pt No 19002

Valve headworks,

Left Hand Pt Nos 950139

Right Hand Pt Nos 950149

WRAS: Approved materials.

ARBOLES UK LTD

Unit 56 • Flexspace Business Centre • Manchester Road • Bolton • BL3 2NZ T: 0044 (0)1204 388814 F: 0044 (0)1204 388813

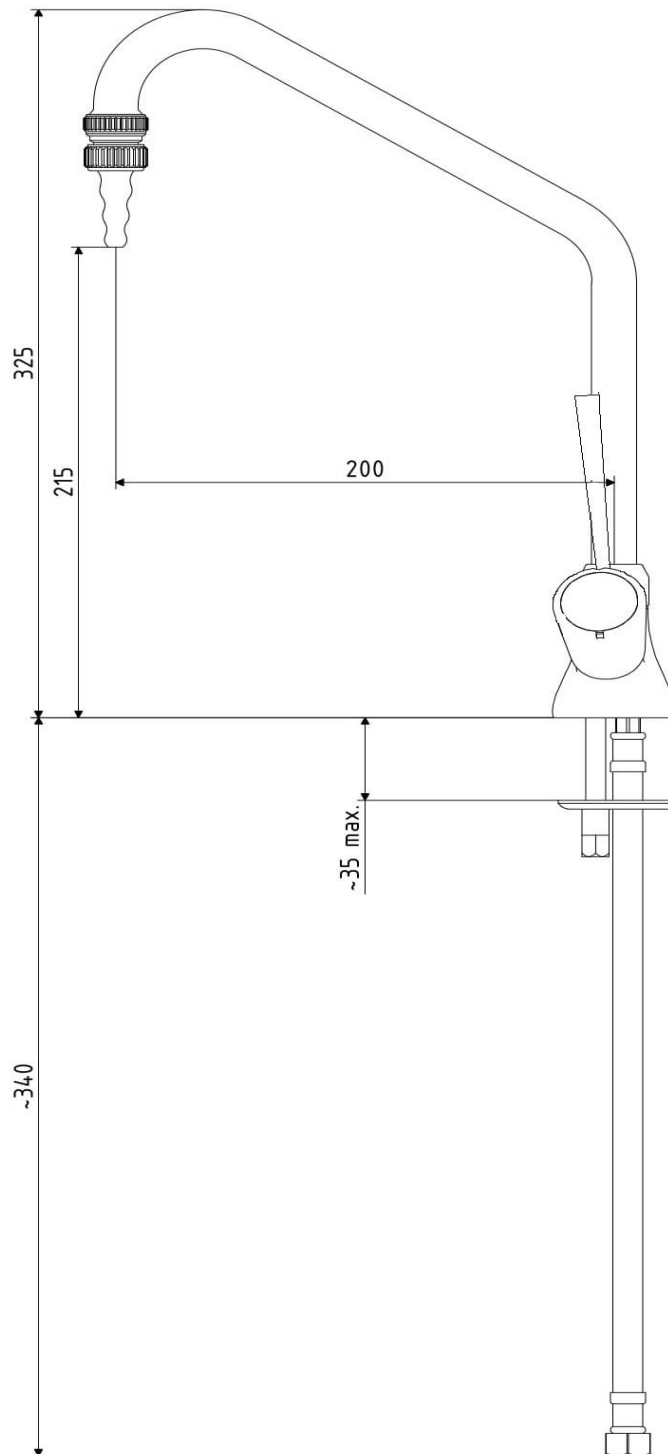
sales@arboles.co.uk www.arboles.co.uk





ARBOLES UK LTD

LABORATORY TAPS, SAFETY SHOWERS AND EYE WASHES



ARBOLES UK LTD

Unit 56 • Flexspace Business Centre • Manchester Road • Bolton • BL3 2NZ T: 0044 (0)1204 388814 F: 0044 (0)1204 388813

sales@arboles.co.uk www.arboles.co.uk

